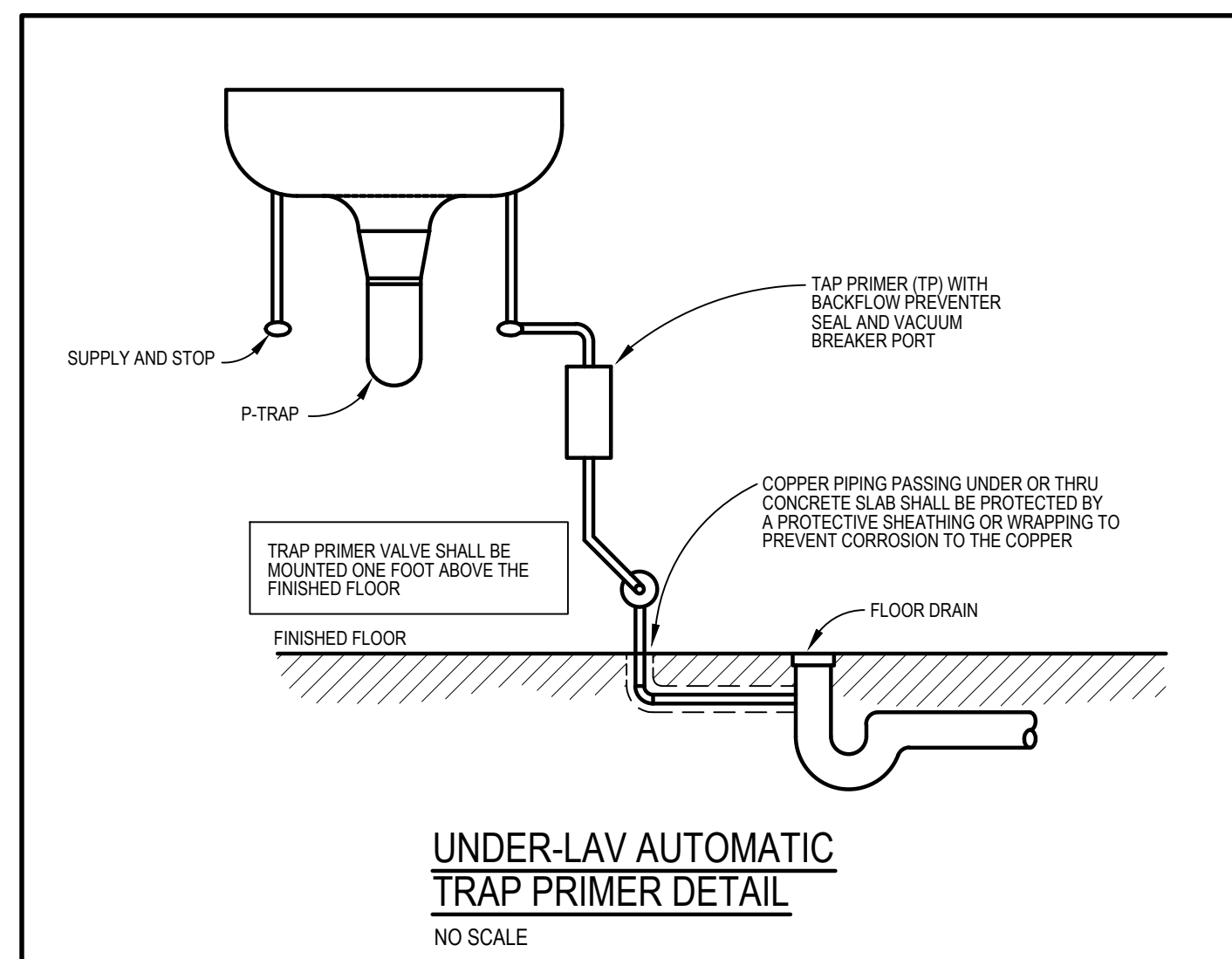
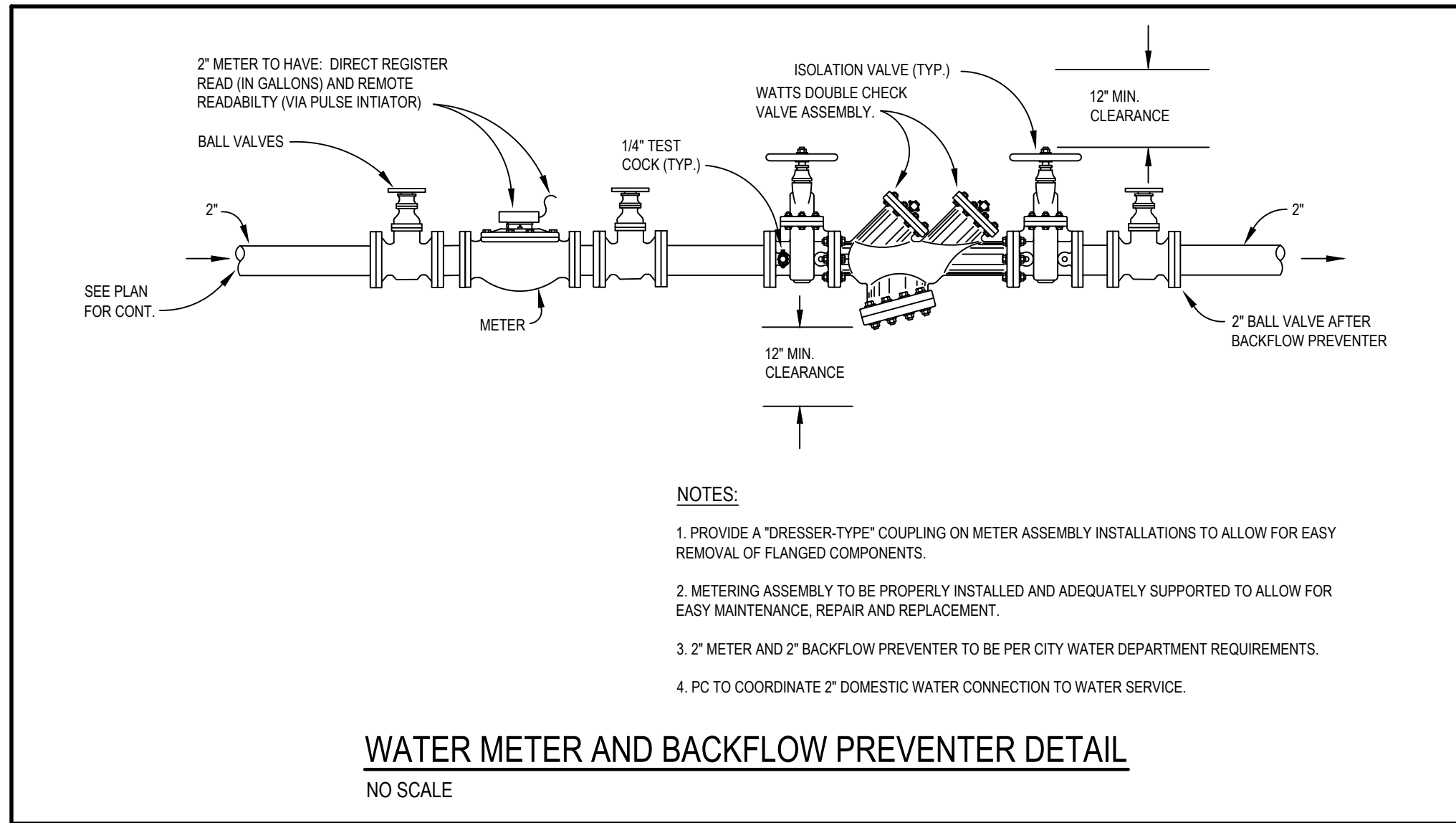


| PLUMBING LEGEND | |
|-----------------|---------------------------------|
| SYMBOL | DESCRIPTION |
| --- | COLD WATER PIPING |
| --- | HOT WATER PIPING |
| --- | HOT WATER RETURN PIPING |
| --- | SANITARY SEWER (ABOVE GRADE) |
| --- | SANITARY SEWER (BELOW GRADE) |
| FD | FLOOR DRAIN |
| CO | FLOOR CLEANOUT |
| HCO | HORIZONTAL CLEANOUT |
| WCO | WALL CLEANOUT |
| V | SANITARY VENT PIPING |
| ST | STORM DRAIN |
| RD | ROOF DRAIN |
| OFD | OVERFLOW ROOF DRAIN |
| G | GAS PIPING-LOW PRESSURE |
| CA | COMPRESSED AIR |
|] | CAP ON END OF PIPE |
| | SHUT-OFF VALVE |
| | CHECK VALVE |
| | DOUBLE CHECK BACKFLOW PREVENTOR |
| | WATER METER |
| | SHUT-OFF VALVE IN RISER |
| | GAS SHUT-OFF VALVE |
| | RISER DOWN (ELBOW) |
| | RISER UP (ELBOW) |
| | BRANCH-TOP CONNECTION |
| | BRANCH-BOTTOM CONNECTION |
| | TEE |
| | ELBOW |
| DS | DOWN SPOUT |
| TP | TRAP PRIMER |
| WC | WATER CLOSET |
| UR | URINAL |
| LAV | LAVATORY |
| SS | SERVICE SINK |
| EWC | ELECTRIC WATER COOLER |
| SHWR | SHOWER |
| SK | SINK |
| WH | WATER HEATER |
| PC | PLUMBING CONTRACTOR |
| SC | SITE CONTRACTOR |
| GC | GENERAL CONTRACTOR |
| EC | ELECTRICAL CONTRACTOR |
| MC | MECHANICAL CONTRACTOR |
| A.F.F. | ABOVE FINISHED FLOOR |
| IE | INVERT ELEVATION |
| + | CONNECT TO EXISTING |



PLUMBING FIXTURES SPECIFICATION:

CLEANOUT (CO): SHALL BE J.R. SMITH NO. 4020 DUCO CAST IRON CLEANOUT WITH ADJUSTABLE SECURED NICKEL BRONZE TOP.

CLEANOUT (CO-1): SHALL BE J.R. SMITH NO. 4250, CAST IRON CLEANOUT AND DOUBLE FLANGED HOUSING WITH HEAVY DUTY, SECURED, SCORRIATED NICKEL BRONZE TOP.

FLOOR DRAIN (FD): SHALL BE J.R. SMITH MODEL 2010-A WITH ROUND STRAINER AND NICKEL BRONZE TOP ON DUCO CAST IRON BODY, NO HUB OUTLET COMPLETE WITH TRAP PRIMER CONNECTION.

WATER CLOSET (WC): SHALL BE AMSTAN ELONGATED WATER SAVER CADET #2462.016 VITREOUS CHINA TOILET, FULLY GLAZED 2-1/8" BALL PASS TRAPWAY, SIPHON JET ACTION FLUSH, 15" HIGH CLOSED COUPLED TANK WITH WATER SAVING TRIM (1.6 GAL PER FLUSH), 2 BOLT CAPS AND CHROME SUPPLY WITH WHEEL STOP. AMSTAN #5901.100SS ELONGATED OPEN FRONT SEAT LESS COVER AND SELF-SUSTAINING CHECK HINGE. MOUNT FLUSH LEVER OPPOSITE OF WALL. CHROME SUPPLY WITH KEY STOP.

WATER CLOSET (WC-A): SHALL BE AMSTAN ELONGATED WATER SAVER CADET #2462.016 VITREOUS CHINA TOILET, FULLY GLAZED 2-1/8" BALL PASS TRAPWAY, SIPHON JET ACTION FLUSH, ADA 16-1/2" HIGH CLOSED COUPLED TANK WITH WATER SAVING TRIM (1.6 GAL PER FLUSH), 2 BOLT CAPS AND CHROME SUPPLY WITH WHEEL STOP. AMSTAN #5901.100SS ELONGATED OPEN FRONT SEAT LESS COVER AND SELF-SUSTAINING CHECK HINGE. MOUNT FLUSH LEVER OPPOSITE OF WALL. CHROME SUPPLY WITH KEY STOP.

URINAL (UR) - AMERICAN STANDARD - MODEL 6601.012 - VITREOUS CHINA, WALL MOUNTED URINAL WITH TOP SPUD, 1.0 GPF. FLUSH VALVE: AMERICAN STANDARD - MODEL 6045.101.002 (1.0 GPM) EXPOSED MANUAL PISTON-TYPE FLUSHOMETER VALVE. PROVIDE COMPLETE WITH FOOTED CHAIR CARRIER. REFER TO ARCHITECTURAL DRAWINGS FOR MOUNTING HEIGHT.

LAVATORY (LAV): SHALL BE AMSTAN "AQUALYN" 0476.028 WHITE VITREOUS CHINA, COUNTERTOP SINK WITH MONTERREY 5502.145 POLISHED CHROME FAUCET AND AERATOR, 1/2 GPM FLOW RESTRICTOR, VANDAL RESISTANT METAL LEVER HANDLES AND GRID DRAIN, CHROME TRAP WITH CLEANOUT AND CHROME SUPPLIES WITH WHEEL STOPS. INSULATE WASTE AND WATER LINES WITH TRUEBRO "LAV-GAURD 2" INSULATION KIT WITH WHITE FINISH TO CONFORM WITH ADA REQUIREMENTS. PROVIDE CHROME SUPPLIES WITH STOPS.

LAVATORY (LAV-A): SHALL BE BRADLEY MODEL WF2503 "TERREON" DEEP BOWL ADA COMPLIANT WASHFOUNTAIN. PROVIDE PRE-ASSEMBLED BOWL AND PEDESTAL, 36" DIAMETER SEMI-CIRCULAR BOWL, 7-1/2" DEEP, INFRARED SENSOR OPERATED.

LAVATORY (LAV-B): SHALL BE AMSTAN "OVALYN" #462.000 VITREOUS CHINA, UNDERCOUNTER SINK WITH MONTERREY 6501.140 POLISHED CHROME TWO-HANDLE AND AERATOR, 1/2 GPM FLOW RESTRICTOR, METAL LEVER HANDLES AND GRID DRAIN, CHROME TRAP WITH CLEANOUT AND CHROME SUPPLIES WITH WHEEL STOPS. INSULATE WASTE AND WATER LINES WITH TRUEBRO "LAV-GAURD 2" INSULATION KIT WITH WHITE FINISH TO CONFORM WITH ADA REQUIREMENTS. PROVIDE CHROME SUPPLIES WITH STOPS.

SERVICE SINK (SS) - "FIAT" MODEL MSB-2424 MOLDED STONE MOP SERVICE BASIN AND 24"x24". TO BE COMPLETE WITH VINYL BUMPER GUARD MODEL E-77-AA, HOSE AND HOSE BRACKET MODEL 832-AA, WALL GUARD MSG-2424, DOME STAINLESS STEEL DRAIN WITH SEDIMENT BUCKET, AND WALL SERVICE FAUCET MODEL 830-AA WITH VACUUM BREAKER, AND WALL BRACE. FAUCET TO BE CHICAGO FAUCETS MODEL 835-369CP WALL MOUNTED SERVICE FAUCET WITH VACUUM BREAKER, WALL BRACH, LEVER HANDLES.

SINK (SK): SHALL BE ELKAY MODEL LRAD1722 SINGLE BOWL STAINLESS STEEL SINK, 17"L x 22"W x 6-1/2"D, SELF RIMMING, 3 FAUCET HOLES ON 4" CENTERS. MOEN MODEL 8701 FAUCET, PROVIDE COMPLETE WITH DRAIN PLUGS WITH HARDWARE, CAST BRASS P-TRAP WITH CLEANOUT, TAILPIECE, AND CHROME SUPPLIES WITH WHEEL STOPS.

SINK (SK-1): SHALL BE ELKAY MODEL ELU1418 SINGLE BOWL STAINLESS STEEL UNDERMOUNT SINK, 14" x 18"W x 7-7/8"D WITH MOEN MODEL 8701 FAUCET, PROVIDE COMPLETE WITH DRAIN PLUGS AND HARDWARE, CAST BRASS P-TRAP WITH CLEANOUT, TAILPIECE, AND CHROME SUPPLIES WITH WHEEL STOPS.

ELECTRIC WATER COOLER (EWC): SHALL BE ELKAY MODEL EZSTL8LC BARRIER-FREE TWO STATION (ADULT & CHILD) WALL MOUNTED WATER COOLER WITH FRONT AND SIDE PUSH BUTTONS, 8.8 GPH OF 50 DEG. F DRINKING WATER BASED ON 80 DEG. F INLET WATER TEMPERATURE. ELECTRICAL DATA: 370 WATTS, 4.0 FLA, 115V, 1 PHASE.

TRAP PRIMER (TP): SHALL BE PRECISION PLUMBING PRODUCTS, INC., PRIME-RITE "UNDER-LAV" TRAP PRIMER VALVE WITH 5/8" INLET AND 1/2" OUTLET.

TRAP PRIMER (TP-1): SHALL BE PRECISION PLUMBING PRODUCTS, INC. "PRIME-RITE" MODEL PR-500 TRAP PRIMER WITH 1/2" INLET AND 1/2" OUTLET. PROVIDE WITH SS-8 SUPPLY TUBE. INSTALL PER MANUFACTURE'S REQUIREMENTS.

ROOF DRAIN (RD): SHALL BE MIFAB MODEL R1100 4" LACQUERED CAST IRON ROOF DRAIN WITH ANCHOR FLANGE, CAST IRON WATER PROOFING MEMBRANE CLAMP RING, AND STANDARD SELF LOCKING CAST IRON STRAINER, BOTTOM OR SIDE OUTLET AS NECESSARY. PROVIDE WITH ALL HARDWARE NECESSARY FOR COMPLETE INSTALLATION. PC TO COORDINATE WITH GC FOR ROOFING CONSTRUCTION.

OVERFLOW DRAIN (OFD): SHALL BE MIFAB MODEL R1100 4" LACQUERED CAST IRON ROOF DRAIN WITH ANCHOR FLANGE, CAST IRON WATER PROOFING MEMBRANE CLAMP RING, AND STANDARD SELF LOCKING CAST IRON STRAINER, BOTTOM OR SIDE OUTLET AS NECESSARY, AND 2" STANDPIPE ADJUSTMENT. PROVIDE WITH ALL HARDWARE NECESSARY FOR COMPLETE INSTALLATION. PC TO COORDINATE WITH GC FOR ROOFING CONSTRUCTION. PROVIDE ZURN Z199 DOWNSPOUT NOZZLE, NICKEL BRONZE CONSTRUCTION, AT TERMINATION ABOVE GRADE.

SHOWER (SHWR) AQUA BATH MODEL AB3634SH-R SHOWER WITH SLIP RESISTANT TEXTURED BOTTOM WITH CURTAIN ROD AND SHOWER CURTAIN. FURNISH AND INSTALL WITH MOEN #8375 "PRO-TEMP" PRESSURE-BALANCING SHOWER VALVE WITH ADJUSTABLE TEMPERATURE LIMIT STOPS, CYCLING VALVE, ARM AND FLANGE, SHOWERHEAD WITH ADJUSTABLE FLOOD OR MIST SPRAY, SHOWERHEAD MOUNTING ARM AND FLANGE, FLOW RATE OF 2.5 GPM AND POLISHED CHROME FINISH. PLUMBING CONTRACTOR SHALL COORDINATE WITH MANUFACTURES INSTALLATION REQUIREMENTS FOR PROPER INSTALLATION.

WATER HEATER (WH): SHALL BE LOCHINVAR MODEL NO. SNR200-100, 99 GALLON STORAGE CAPACITY & 233 GPH @ 100°F RISE, 200 MBH INPUT, 96% EFFICIENCY, GLASS LINED STEEL TANK, DIRECT VENT SEALED COMBUSTION WITH PVC FLUE & COMBUSTION AIR, 5:1 MODULATING BURNER WITH STAINLESS STEEL HEAT EXCHANGER, 120/60/1 & 8 FT. POWER CORD, 3 YR WARRANTY, PIPE CONDENSATE DRAIN FULL SIZE TO FLOOR DRAIN WITH AIR GAP AND CONDENSATE NEUTRALIZATION KIT. ASME T & P RELIEF VALVE, TIME CLOCK CONTROL WITH NIGHT SET BACK, ROOF TERMINATION KIT, 1/2" NATURAL GAS CONNECTION, 3" COMBUSTION AIR INLET, 3" VENT OUTLET. OPERATING WEIGHT = 1600 LBS.

NOTE: SIMILAR MANUFACTURERS: MIFAB, WATTS, JOSAM, WADE, ZURN - CLEANOUTS, FLOOR DRAINS, ROOF DRAINS, TRAP PRIMER A.O. SMITH, STATE - WATER HEATER KOHLER, TOTO, ELJER - WATER CLOSETS, URINALS, LAVS OASIS - EWC

Proposed Additions and Renovations for:
DEACON'S CHRYSLER JEEP DODGE
835 S.O.M. Center Road
Mayfield Village, Ohio

